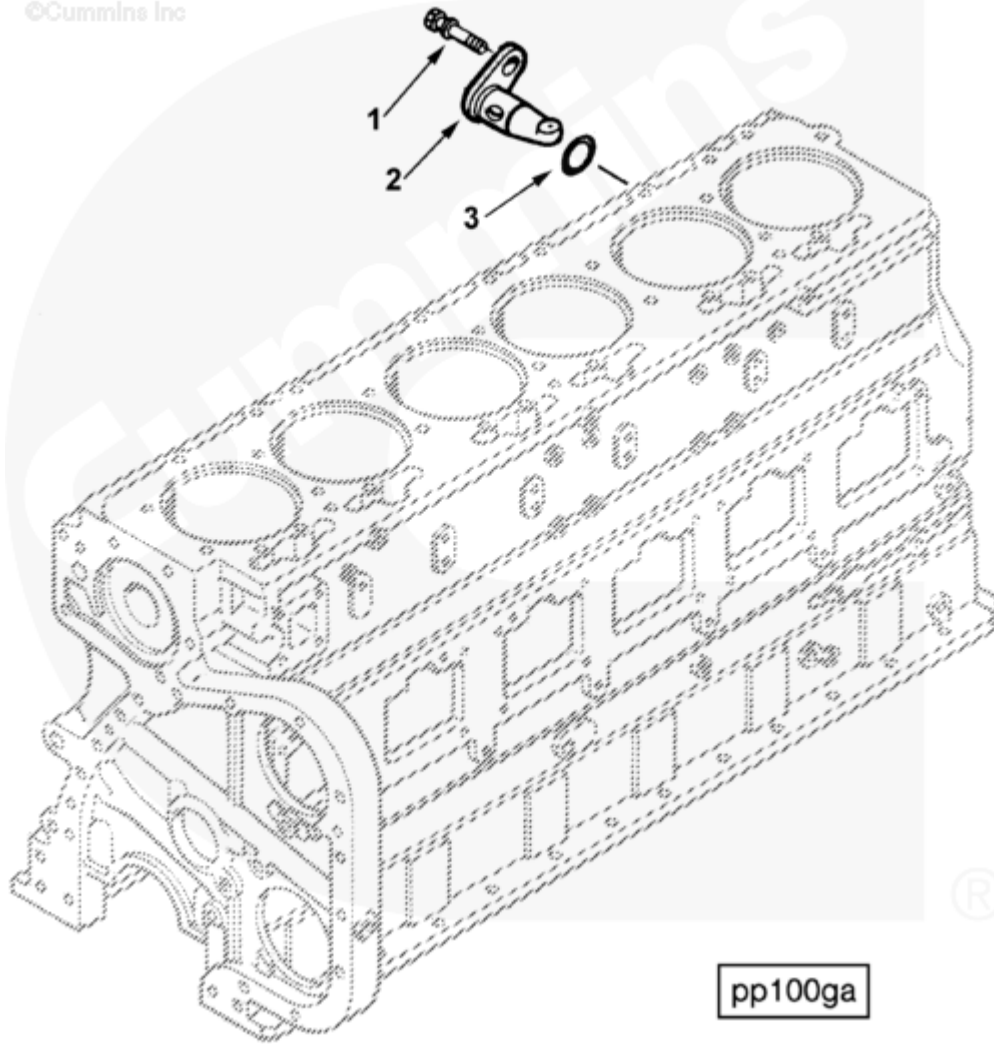





Parts Catalog - Option Detail

Electronic Parts Catalog - Option Detail				
Option	Group	Graphic	Film Card	Date
PP2862	01.01.2	pp100ga	FF	29-SEP-99
Engines	G855, G855 CM558, GTA855 CM558 (CM2358) G101, N14 CELECT, N14 CELECT PLUS, N14 MECHANICAL, NH/NT 855, QSM11 CM876 M101, QSM11 CM876 M102M, QSN14 CM876 N103, QSN14 CM876 N105, QSNT14 CM876 N102			



SMALL | MEDIUM | LARGE

Cart	Ref No	Part Number	Part Description	Required	Remarks
View My Cart					
		PP2862	Piston Cooling Nozzle		
<input type="checkbox"/>	1	3067954	Captive Washer Cap Screw	6	3/8 - 16 X 3/4 Inch.
<input type="checkbox"/>	2	4058947	Piston Cooling Nozzle	6	

	3	4058941	O-Ring Seal	6	
---	---	-------------------------	-------------	---	--

© 2019 Cummins Inc., Box 3005, Columbus, IN 47202-3005 U.S.A.
Terms of Use and Disclaimers | Recommended System Requirements
Need Assistance? Please click on the Contact Us button in the top right corner of any page.